

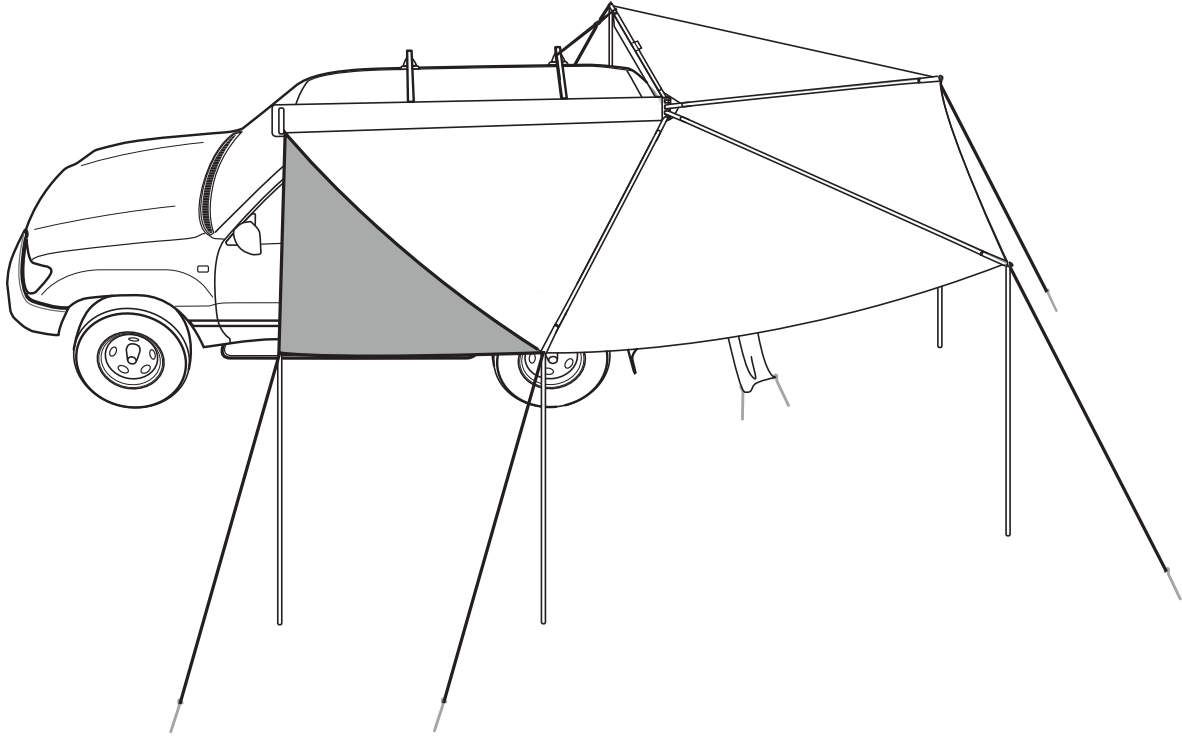
**CONTROLLED**

RHINO-RACK

Rhino-Rack Foxwing Front Edge Zippered Insert (31124)

Important: Please read these instructions carefully prior to installation. Please refer to your fitting instruction to ensure that the roof racks are installed in the correct locations. Check the contents of kit before commencing fitment and report any discrepancies. Place these instructions in the vehicle's glove box after installation is complete.

Layout



Important Information

Recommendations

It is essential that all bolt connections be checked after driving a short distance when you first install your Rhino FOXWING Awning. Bolt connections should be checked again at regular intervals (probably once a week is enough, depending on road conditions, usage, loads and distances travelled). You should also check the roof bars each time they are refitted.

Use only non-stretch fastening ropes or straps.

Please remove FOXWING Awning and crossbars when putting vehicle through an automatic car wash.

Load Ratings

With the addition of the FOXWING Awning, the load capacity of your crossbars will have to be adjusted accordingly. The FOXWING Awning and 2 crossbars weigh approximately 19kg. When roof racks are to be used in off-road conditions, please build a safety factor of 1.5 into this load limit. Although the roof racks are tested and approved to AS1235-2000, Australian road conditions can be much more rigorous.

Note for Dealers and Fitters

It is your responsibility to ensure that this fitting instruction is given to the end user or client.

Rhino-Rack
3 Pike Street, Rydalmere,
NSW 2116, Australia.
(Ph) (02) 9638 4744
(Fax) (02) 9638 4822

Document No: R469
Prepared By: Kayle Everett
Authorised By: Chris Murty

Issue No: 01
Issue Date: 26/03/2015

These instructions remain the property of Rhino-Rack Australia Pty Ltd and may not be used or changed for any other purpose than intended.



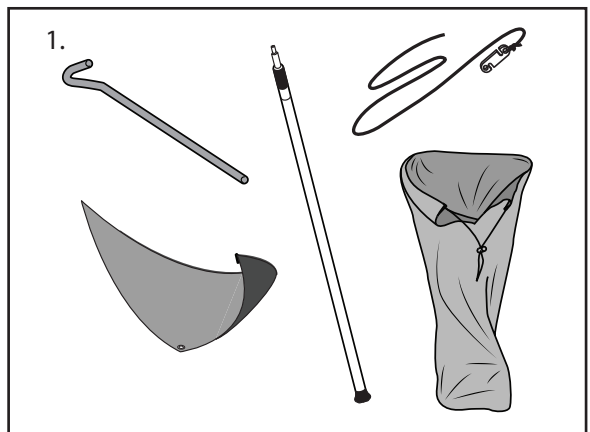
Rhino-Rack Foxwing Front Edge Zippered Insert (31124)

Parts List

Item	Component Name	Qty	Part
1	Front Edge FOXWING Zippered Insert	1	-
2	Metal Peg	1	C909
3	Telescopic Support Pole	1	31106
4	Guy Rope	1	C910
5	Bag	1	-
6	Fitting Instruction	1	R469

Tools Required:

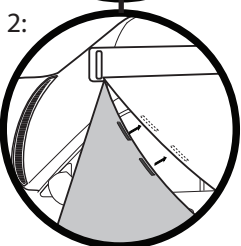
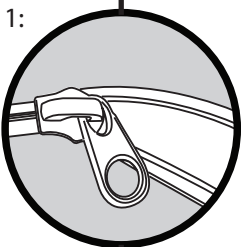
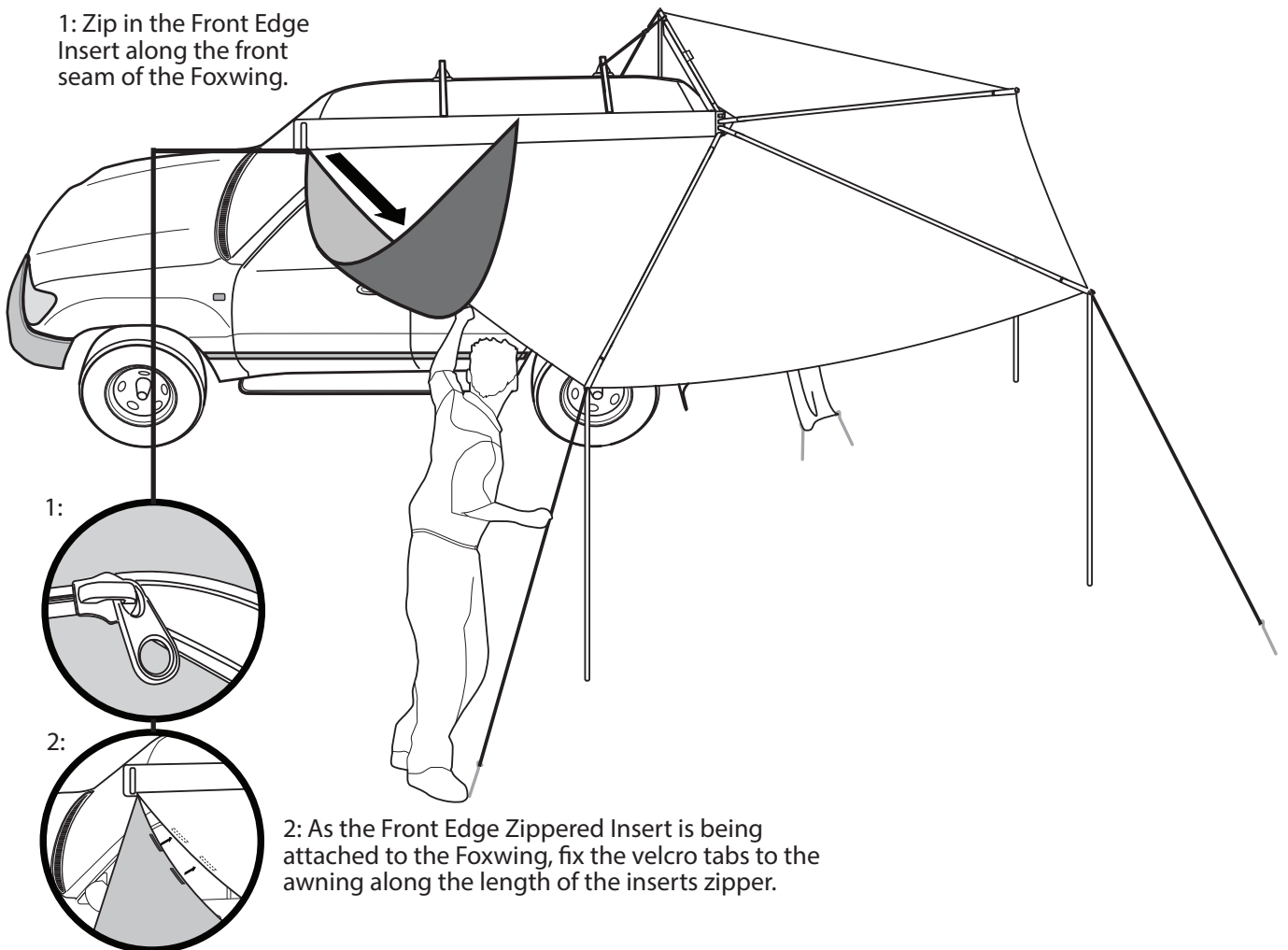
Mallet



Instructions

- 1** Using the zips on your Foxwing Front Edge Insert, fix the unit in place.

1: Zip in the Front Edge Insert along the front seam of the Foxwing.

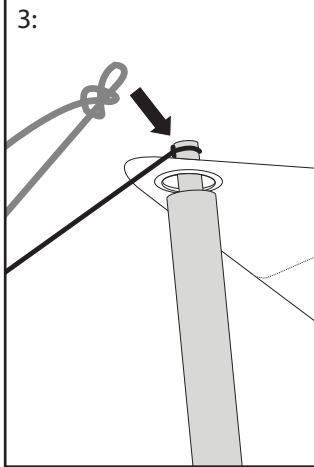
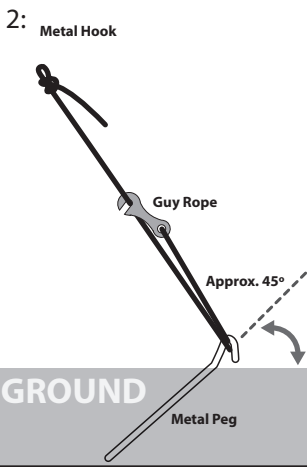
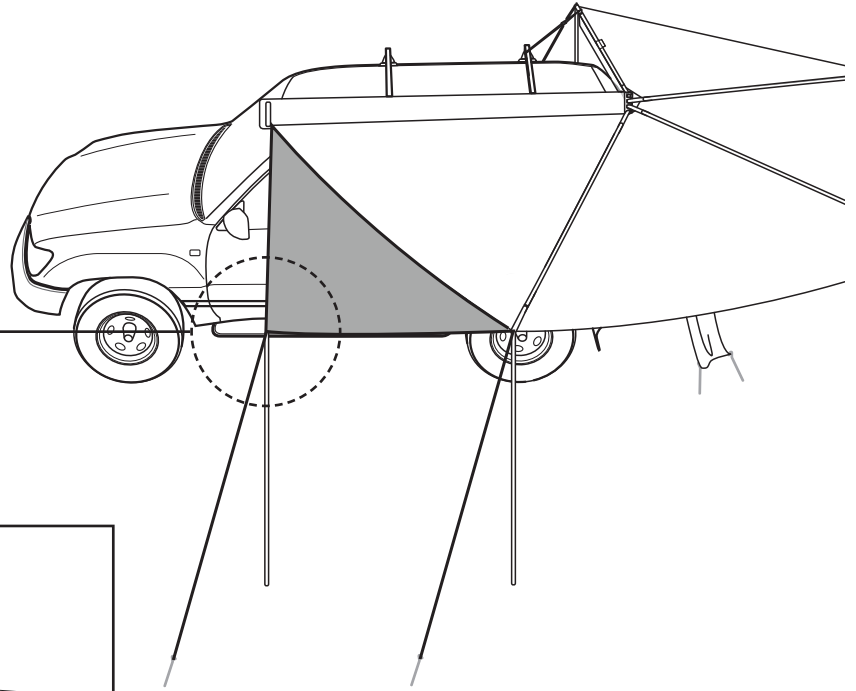
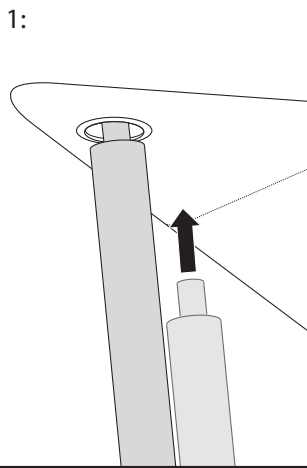


2: As the Front Edge Zippered Insert is being attached to the Foxwing, fix the velcro tabs to the awning along the length of the inserts zipper.



Rhino-Rack Foxwing Front Edge Zippered Insert (31124)

2



1: Place the Support Pole through the eyelet in the Insert.

2: Using a mallet, insert the Steel Peg into the ground as shown and attach the Guy Rope.

3: Attach the Guy Rope to the top of the Support Pole, pull rope taut.

Storage

1: Fold the Front Edge FOXWING Zippered Insert kit in half as shown. 2: Place the Support pole onto the folded insert. 3: Roll the Support Pole up inside the Insert. 4: Place the assembly in its bag.

